

**HYTSU**<sup>®</sup>

**T & U**<sup>®</sup>

**✓200** **SERIES**  
**5 - 10 TON**

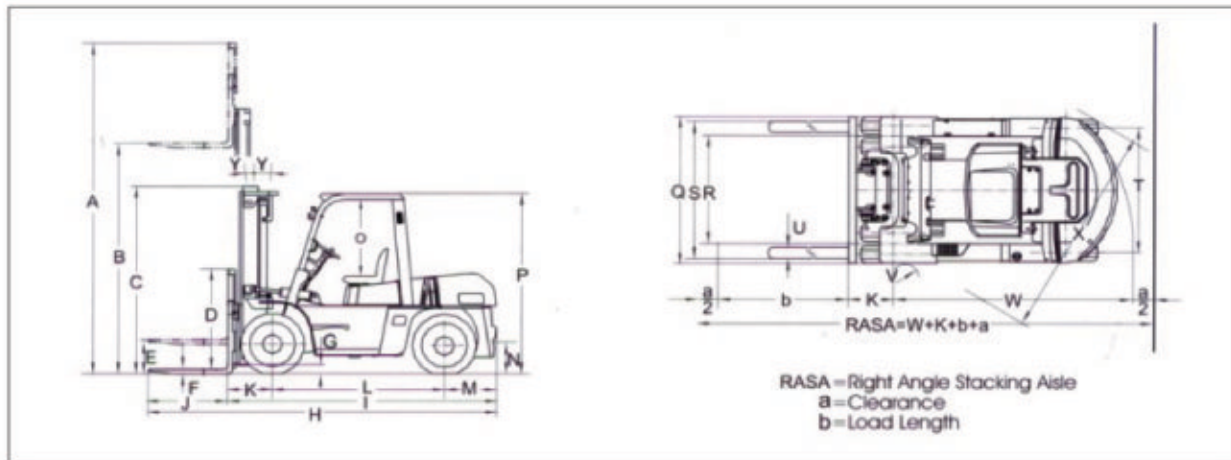


**DIESEL POWERED**

CPCD50 5000kg/600mm  
CPCD70 7000kg/600mm  
CPCD100 10000kg/600mm

CPCD60 6000kg/600mm  
CPCD80 8000kg/600mm





### STANDARD DIMENSIONS (Front Single Tire)

Model	CPCD50	CPCD60	CPCD70	CPCD80	CPCD100
	mm/in.	mm/in.	mm/in.	mm/in.	mm/in.
A Overall height fork raised(with backrest)	4420/174	4420/174	4420/174	4420/174	4330/170.5
B Mast. Fork height	3000/118	3000/118	3000/118	3000/118	3000/118
C Overall height fork lowered(upright)	2500/98.4	2500/98.4	2625/103.3	2700/106.3	2850/112.2
D Backrest height(from upper face of forks)	1365/53.7	1365/53.7	1365/53.7	1374/54	1015/40
E Free lift	200/7.9	205/8	210/8.3	200/7.9	210/8.3
F Fork thickness	55/2.2	60/2.4	65/2.6	70/2.8	80/3.2
G Min. under-clearance(bottom of mast)	200/7.9	200/7.9	200/7.9	250/9.8	245/9.6
H Overall length(with forks)	4660/183.5	4735/186.4	4800/189	5160/203	5480/215.8
I Overall length(without forks)	3440/135.4	3515/138.4	3580/141	3940/155	4260/167.7
J Fork length	1220/48	1220/48	1220/48	1220/48	1220/48
K Fork overhang	590/23.2	590/23.2	590/23.2	700/27.5	718/28.3
L Wheel base	2250/88.6	2250/88.6	2250/88.6	2500/98.4	2800/110.2
M Rear overhang	600/23.6	675/26.6	740/29	740/29	740/29
N Coupler height	430/16.9	430/16.9	430/16.9	540/21.2	540/21.2
O Overhead guard clearance(from face of seat)	1035/40.7	1035/40.7	1035/40.7	1035/40.7	1035/40.7
P Overall height(overhead guard)	2450/96.5	2450/96.5	2450/96.5	2585/101.8	2585/101.8
Q Overall width	1995/78.5	1995/78.5	1995/78.5	2165/85.2	2208/87
R Lateral fork adjustment(outside of fork)	300/11.8-1835/72.2	300/11.8-1835/72.2	300/11.8-1835/72.2	340/13.4-1930/76	410/16-2140/84.2
S Tread(front)	1470/57.9	1470/57.9	1470/57.9	1600/63	1600/63
T Tread(rear)	1700/66.9	1700/66.9	1700/66.9	1700/66.9	1700/66.9
U Fork width	150/5.9	150/5.9	150/5.9	170/6.7	175/6.9
V Inside turning	200/7.9	200/7.9	200/7.9	200/7.9	200/7.9
W Outside turning radius	3250/128	3300/130	3370/132.7	3700/145.7	3900/153.5
X Min. intersecting aisle	2960/116.5	3000/118	3040/119.7	3310/130.3	3540/139.4
Y Tilting angles(forward-backward)	6°-12°	6°-12°	6°-12°	6°-12°	6°-12°

HYTSU GROUP products and specifications are subject to improvement and change without notice.



**MANUFACTURER, DESIGNER & DISTRIBUTOR: HYTSU GROUP**  
 ADD: 4F Tomson International Building, No.1 Jilong Road, Waigaoqiao Free Trade Zone, Pudong New District, Shanghai 200131  
 TEL: 0086 21 5869 0003 FAX: 0086 21 5869 2793  
 E-mail: info@hytsu.com Website: www.hytsu.com