

# HYTSU®

# T&U®

## S100 SERIES 2-3.5t



**DIESEL POWERED  
GASOLINE POWERED (LPG)**

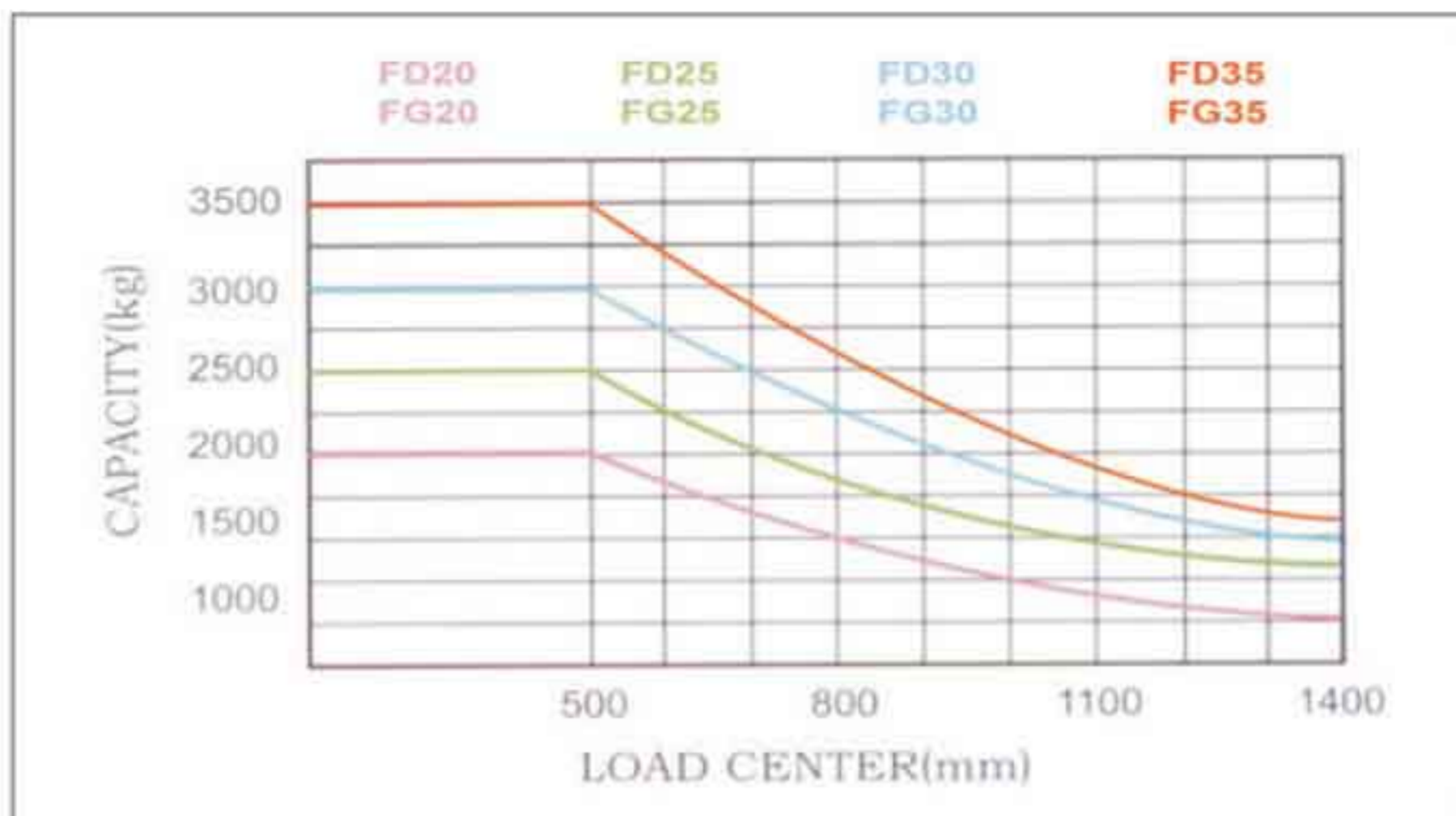
FD20T/FD20C 2000kg (4400lbs)  
FD25T/FD25C 2500kg (5500lbs)  
FD30T/FD30C 3000kg (6600lbs)  
FD35T/FD35C 3500kg (7700lbs)

FG20T/FG20C 2000kg (4400lbs)  
FG25T/FG25C 2500kg (5500lbs)  
FG30T/FG30C 3000kg (6600lbs)  
FG35T/FG35C 3500kg (7700lbs)



# STANDARD SPECIFICATION

		HYTSU GROUP											
Characteristics	1	Manufacturer											
	2	Model			FG20T	FG25T	FG30T	FG35T	FD20T	FD25T	FD30T	FD35T	
					FG20C	FG25C	FG30C	FG35C	FD20C	FD25C	FD30C	FD35C	
	3	Load Capacity	kg/lb.	2000/4400	2500/5500	3000/6600	3500/7700	2000/4400	2500/5500	3000/6600	3500/7700		
	4	Load Center	mm/in.	500/19.7				500/19.7					
	5	Power Type	Gas/Petrol				Diesel						
	6	Control Type	Sit Down Rider Type				Sit Down Rider Type						
	7	Tire Type	Front/Rear	Pneumatic				Pneumatic					
8	Wheels(X-driven)	Front/Rear	2x2/2				2x2/2						
Dimensions	9	Maximum Fork Height	mm/in.	3000/118				3000/118					
	10	Free Lift	mm/in.	325/12.8		305/12		325/12.8		305/12			
	11	Fork Size	LxWxT	mm/in.	920x122x40 / 36.2x4.8x1.6	1070x122x40 / 42x4.8x1.6	1070x125x45 / 42x4.8x1.8		920x122x40 / 36.2x4.8x1.6	1070x122x40 / 42x4.8x1.6	1070x125x45 / 42x4.8x1.8		
	12	Tilt Angle	Fwd/Bwd	deg	6/12				6/12				
	13	Length to Fork Face	mm/in.	2513/99	2583/102	2698/106		2513/99	2583/102	2698/106			
	14	Overall Width	mm/in.	1150/45.3		1225/48.2		1150/45.3		1225/48.2			
	15	Mast Height Fork Lowered	mm/in.	1995/78.5		2070/81.5		1995/78.5		2070/81.5			
	16	Overall Height Fork Raised	mm/in.	4030/158.7		4250/167.3		4030/158.7		4250/167.3			
	17	Overhead Guard Height	mm/in.	2070/81.5		2090/82.3		2070/81.5		2090/82.3			
	18	Turning Radius (Out side)	mm/in.	2170/85.4	2240/88	2400/94.5		2170/85.4	2240/88	2400/94.5			
	19	Load Distance (Centerline of front axle to front face of forks)	mm/in.	483/19		498/19.6		483/19		498/19.6			
	20	Minimum Aisle-90° stack (Add load length and clearance)	mm/in.	2640/104	2710/106.7	2885/113.6		2640/104	2710/106.7	2885/113.6			
Performance	21	Travel Max. (Fwd/Rvs)	With Load	km/h	17.0		18.0		17.0		18.0		
			Without Load	km/h	19.5				19.5				
	22	Speed	Lifting	With Load	mm/s	570		450		550		400	
				Without Load	mm/s	600		500		580		420	
	23	Lowering	With Load	mm/s	450				450				
			Without Load	mm/s	550		500		550		500		
24	Max. Drawbar Pull	With/Without Load	kg/lb.	1650/850 / 3634/1872		1350/1000 / 2974/2203		1700/850 / 3744/1872		1500/1000 / 3304/2203			
25	Max. Gradeability **	With/Without Load	%	21/22	18/19	19/20		27/20	23/18	18/20			
Weight	26	Total Weight	kg/lb.	3320/7313	3680/8106	4280/9427	4580/10080	3410/7511	3770/8304	4370/9625	4670/10280		
	27	Weight Distribution	With Load	Front	kg/lb.	4730/10418	5480/12070	6455/14218	6455/14218	4775/10518	5525/12170	6500/14317	6500/14317
				Rear	kg/lb.	590/1300	700/1542	825/1817	825/1817	635/1399	745/1641	870/1916	870/1916
	28	Without Load	Front	kg/lb.	1520/3348	1465/3227	1720/3788	1720/3788	1560/3436	1510/3326	1760/3877	1760/3877	
Rear			kg/lb.	1800/3965	2215/4879	2560/5639	2560/5639	1850/4075	2260/4978	2610/5749	2610/5749		
Chassis	29	Tire	Number	Front/Rear	2/2				2/2				
	30	Size	Front	7.00-12-12PR		28*9-15-12PR		7.00-12-12PR		28*9-15-12PR			
			Rear	6.00-9-10PR		6.50-10-10PR		6.00-9-10PR		6.50-10-10PR			
	32	Wheelbase	mm/in.	1600/63		1700/67		1600/63		1700/67			
	33	Tread	Front	mm/in.	970/38		1000/39.4		970/38		1000/39.4		
			Rear	mm/in.	970/38				970/38				
	35	Groundclearance	at lowest point (Mast)	mm/in.	110/4.3		135/5.3		110/4.3		135/5.3		
	Frame		mm/in.	115/4.5		140/5.5		115/4.5		140/5.5			
37	Brake	Service	Hydraulic-Foot pedal				Hydraulic-Foot pedal						
38		Parking	Mechanical-Hand lever				Mechanical-Hand lever						
Engine and Transmission	39	Battery	Voltage/Capacity	V/AH	12/50/20h				12/100/20h				
	40	Internal Combustion Engine	Model	MITSUBISHI 4G64 / NISSAN K21				ISUZU C240 PKJ ( NISSAN TD27 )					
	41		Rated Horsepower	KW(HP)/r.p.m	42.5(57)/2500 / 40.5(54.3)/2700				34.5(46.3)/2500				
	42		Rated Torque	NM/r.p.m.	161/1600 / 154/2000				139/1800				
	43		Number of Cylinder	4				4					
	43		Displacement	cc	2350 / 2065				2369				
	43		Fuel Tank Capacity	lit	50				60				
44	Transmission	Number of Speed Fwd/Rvs-Type	Power shift T/M	1-1 Power shift T/M Clutch Shift				1-1 Power shift T/M Clutch Shift					



**Note:**

Capacities shown are computed with upright in vertical position. Load centers are determined for front face of fork. Capacities are based on a 1000 mm cube load configuration with the center of gravity at the true center of the cube, and standard forks. Truck capacities with upright in forward tilt position will be less. Long forks, and unusually wide or loads may also reduce capacity



- Steel Rim
- Solid Cushion Tyre
- Pneumatic Tyre



**The Integral Sideshift**

- Heat-insulation/vibration absorbing
- Lowest noise
- Rubber sealing packing at the gap between engine hood and truck body



**New Engine with Low Consumption**

**STANDARD**

- ISUZU C240PKJ diesel engine  
Rated Power 47 ps/2500 r. p. m  
Rated output 2369 cc
- MITSUBISHI 4G64 gasoline engine  
Rated Power 58 ps/2500 r. p. m  
Rated output 2350 cc

**Hi-POWER**

- ISUZU 4JG2 HI-power diesel engine  
Rated Power 61 ps/2450 r. p. m  
Rated output 3059 cc
- NISSAN K25 gasoline engine  
Rated Power 61.2 ps/2700 r. p. m  
Rated output 2488 cc

**Specification of Optional High Power Engine**

Engine	Type		NISSAN K25	ISUZU 4JG2
	Rated power	HP/r.p.m	60.3/2700	60/2450
Rated torque	NM/r.p.m	185/1600	186/1600 ~ 1800	
Cylinder quantity		4	4	
Displacement	cc	2488	3059	

**STANDARD EQUIPMENT**

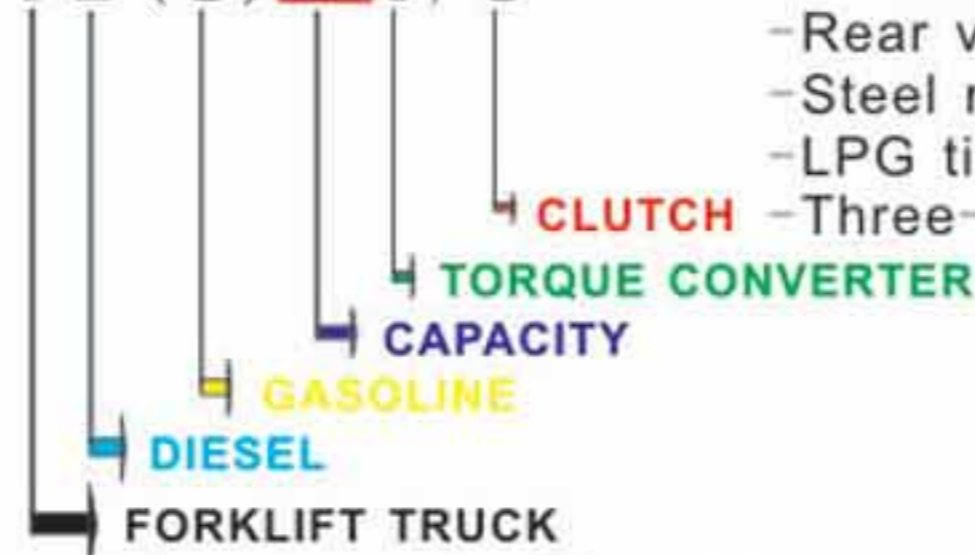
- Wide view mast
- Class II (III) carriage
- Load backrest
- Standard fork
- long lift tires
- Power steering
- Retaining rollers
- Overhead guard
- Standard seat
- Drawbar pin
- Cyclopack air cleaner
- Toggle type parking brake lever
- Lift and tilt levers
- 2-spool control valve with pressure relief valve
- Dipstick for convertor oil
- Dipstick for hydraulic oil
- Return hydraulic filter
- Convertor oil filter
- Lift circuit cut-off valve
- Halogen head lights
- Rear combination lights
- Rear view mirrors
- Back-up lamp
- Electric horn
- Neutral safety switch (Tor-Con)
- Deluxe rubber floor mat
- Headguard canvas
- Overhead air intake
- Radiator reservoir
- Tilt adjustable steering post
- Turn signal lights
- Lamp guard
- Full hydrostatic power steering
- Hour meter
- Water temperature meter
- Fuel meter
- Engine oil pressure warning indicator
- Charge indicator
- Engine auto glow system (C)
- Engine after glow system (C)
- Ignition key engine stop (C)
- Hand grip
- Operator tool kit
- Back-up alarm

**OPTIONAL LOADING ATTACHMENTS**

- Wide view 2-stage full free VFM masts
- Wide view 3-stage full free VFHM masts
- Wide carriage
- Long forks
- Fork extension sleeves
- Side shift
- Hinged forks, bucket
- Paper roll clamp
- Carton clamp
- Rotating forks
- Multiple drums clamp
- Load push pull
- Crane arm
- Ram
- Hook

**OPTIONAL EQUIPMENT AND ACCESSORIES**

- Front dual wheels and fender extension
- Solid tires
- All weather steel cabin
- Heater for steel cabin
- Color tire (white, green)
- Power clutch
- Dual air filter
- Torque convertor oil temperature meter
- Suspension seat
- Smoke reduction/spark arrester muffler (c)
- Overhead exhaust
- Fire extinguisher
- Tilt cylinder boots
- Steering cylinder boot
- LPG exclusive or dual fuel package
- Rear working light
- Custom coloring paint
- Auxiliary hydraulic valve modules
- Rear view mirrors
- Steel mesh for protection
- LPG tilt seat
- Three-way catalytic muffler

**DESCRIPTION FOR THE MODEL OF FORKLIFT**
**FD (G) \*\*T / C**

**Note:**

**HYTSU GROUP** industrial trucks are equipped with certain safety devices as standard equipment

## WIDE VIEW MAST VM

Mast model	Max.fork height (mm/in.)	Capacity at 500mm: Load center (kg/lb.)			Overall Mast Height at Lowered (mm/in.)		Tilting Angle Fwd/Bwd deg	Service Weight (kg/lb.)		
		FG20 FD20	FG25 FD25	FG30/35 FD30/35	2~2.5t	3~3.5t		FG20 FD20	FG25 FD25	FG30/35 FD30/35
VM300	3000/118	2000/4400	2500/5500	3000/6600	1995/78.5	2070/81.5	6-12	3320/7313	3680/8106	4355/9592
VM330	3300/130	2000/4400	2500/5500	3000/6600	2145/84.4	2220/87.4	6-12	3345/7368	3705/8161	4375/9636
VM350	3500/137.8	2000/4400	2500/5500	3000/6600	2245/88.4	2320/91.3	6-12	3360/7400	3720/8194	4390/9670
VM370	3700/145.7	2000/4400	2500/5500	3000/6600	2345/92.3	2420/95.3	6-6 *6-12	3375/7434	3735/8227	4410/9714
VM400	4000/157.4	2000/4400	2500/5500	3000/6600	2545/100	2620/103	6-6 *6-12	3420/7533	3780/8326	4470/9846
VM435	4350/171.2	1900/4185 *2000/*4400	2100/4625 *2500/*5500	2850/6277 *3000/*6600	2770/109	2845/112	6-6 *6-12	3440/7577	3800/8370	4490/9890
VM450	4500/177	1800/3965 *1900/*4185	1800/3965 *2400/*5286	2600/5727 *3000/*6600	2795/110	2870/113	6-6 *6-12	3460/7621	3820/8414	4510/9934
VM480	4800/189	1450/3194 *1900/*4185	1450/3194 *2400/*5286	2400/5286 *3000/*6600	3020/118.9	3095/121.8	6-6 *6-6	3480/7665	3840/8458	4530/9978
VM500	5000/196.8	1300/2863 *1700/*3744	1300/2863 *2200/*4846	2100/4625 *2850/*6277	3045/119.9	3120/122.8	6-6 *6-6	3500/7709	3860/8502	4560/10044
VM550	5500/216.5	*1500/*3300	*1700/*3744	*2400/*5286	3345/131.7	3420/134.6	*3-6	3695/8139	4055/8932	4780/10528
VM600	6000/236.2	*1300/*2863	*1400/*3084	*2000/*4400	3595/141.5	3670/144.5	*3-6	3735/8227	4095/9020	4820/10617

VM650, VM700, VM750 are available on request

NOTE: (1) For gas, diesel model: +90kg, dual wheels weight: +110kg (+240pound)  
(2) \* (Front wheel) is dual wheels load capacity

## WIDE VIEW FULL FREE 2-STAGE MAST VFM

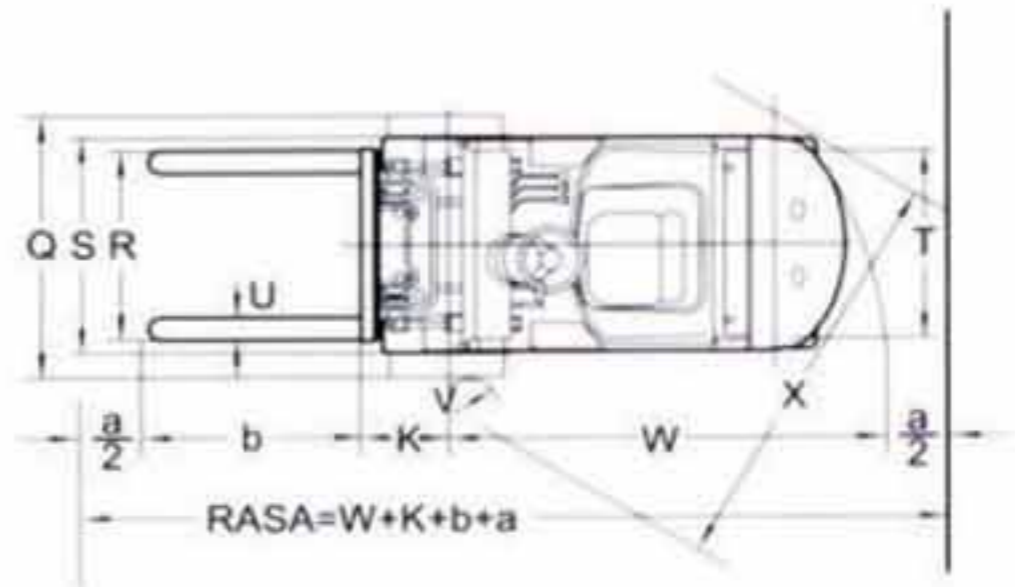
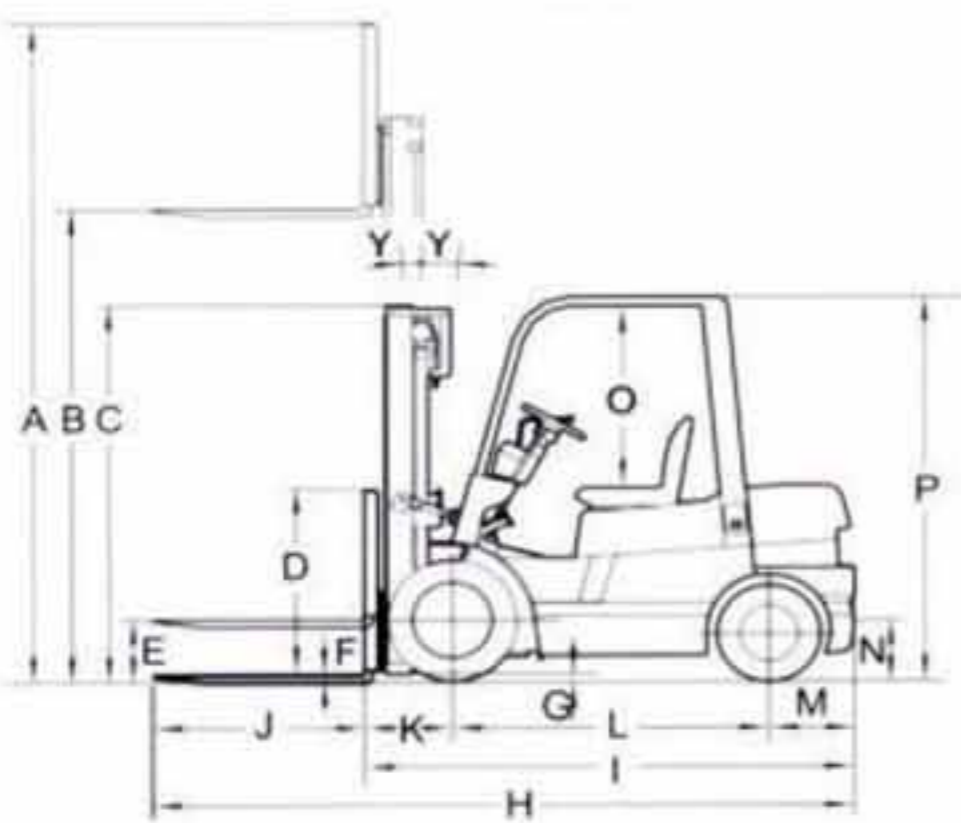
Mast model	Max.fork height (mm/in.)	Capacity at 500mm: Load center (kg/lb.)			Overall Mast Height at Lowered		Free Lift With Backrest (l)		Tilting Angle Fwd/Bwd deg	Service Weight (kg/lb.)		
		FG20 FD20	FG25 FD25	FG30/35 FD30/35	2~2.5t (mm/in.)	3~3.5t (mm/in.)	2~2.5t (mm/in.)	3~3.5t (mm/in.)		FG20 FD20	FG25 FD25	FG30/35 FD30/35
VFM300	3000/118	2000/4400	2500/5500	3000/6600	1995/78.5	2070/81.5	995/39	850/33.5	6-12	3385/7456	3725/8205	4390/9670
VFM330	3300/130	2000/4400	2500/5500	3000/6600	2145/84.4	2220/87.4	1145/45	1000/39.4	6-12	3405/7500	3750/8260	4415/9725
VFM350	3500/137.8	2000/4400	2500/5500	3000/6600	2245/88.4	2320/91.3	1245/49	1100/43.3	6-12	3420/7533	3765/8293	4460/9824
VFM370	3700/145.7	2000/4400	2500/5500	3000/6600	2345/92.3	2415/95	1360/53.5	1215/47.8	6-12	3375/7434	3735/8227	4410/9714
VFM400	4000/157.4	2000/4400	2500/5500	3000/6600	2545/100	2620/103	1545/60.8	1400/55	6-6 *6-12	3500/7709	3840/8458	4545/10011

## WIDE VIEW FULL FREE 3-STAGE MAST VFHM

Mast model	Max.fork height (mm/in.)	Capacity at 500mm: Load center (kg/lb.)			Overall Mast Height at Lowered		Free Lift With Backrest (l)		Tilting Angle Fwd/Bwd deg	Service Weight (kg/lb.)		
		FG20 FD20	FG25 FD25	FG30/35 FD30/35	2~2.5t (mm/in.)	3~3.5t (mm/in.)	2~2.5t (mm/in.)	3~3.5t (mm/in.)		FG20 FD20	FG25 FD25	FG30/35 FD30/35
VFHM400	4000/157.5	1900/4185	2400/5286	2900/6388	1920/75.6	2065/81.3	880/34.6	795/31.3	6-6 *6-6	3505/7720	3845/8469	4615/10165
VFHM435	4350/171.2	1850/4075 *1900/*4185	2200/4846 *2400/*5286	2800/6167 *2900/*6388	2045/80.5	2190/86	1005/39.5	920/36.2	6-6 *6-6	3535/7786	3885/8557	4650/10242
VFHM450	4500/177	1700/3744 *1800/*3965	1700/3744 *2300/*5066	2450/5396 *2800/*6167	2095/82.5	2240/88	1050/41.3	970/38	6-6 *6-6	3565/7852	3910/8612	4660/10264
VFHM480	4800/189	1700/3744 *1800/*3965	1700/3744 *2300/*5066	2450/5396 *2800/*6167	2195/86.4	2340/92	1155/45.5	1070/42	6-6 *6-6	3575/7874	3915/8623	4680/10308
VFHM500	5000/196.8	1500/3304 *1750/*3855	1500/3304 *2250/*4956	2300/5066 *2750/*6057	2295/90.3	2440/96	1255/49.4	1170/46	6-6 *6-6	3715/8183	4055/8932	4725/10407
VFHM550	5500/216.5	1200/2643 *1700/*3744	1200/2643 *2150/*4735	1700/3744 *2650/*5837	2520/99.2	2665/105	1480/58.2	1395/55	3-6 *3-6	3895/8579	4235/9328	4760/10484
VFHM600	6000/236.2	800/1762 *1600/*3524	800/1762 *1800/*3965	1200/2643 *2100/*4625	2645/104	2790/109.8	1605/63	1520/59.8	3-6 *3-6	3945/8689	4285/9438	4850/10383

VFHM650, VFHM700, VFHM750 are available on request

NOTE: (1) 2~2.5t free lift height (without backrest) : +435mm (+17inch),  
3t free lift height (without backrest) : +580mm (+22.8inch)  
(2) Dual wheels weight: +110kg (+240pound)  
(3) \* (Front wheel) is dual wheels load capacity



RASA=Right Angle Stacking Aisle  
a=Clearance  
b=Load Length

GROUND CLEARANCE	2t/2.5t	3t/3.5t
Drive Axle	125	145
Steer Axle	150	175
Counter Weight	160	160
Frame	115	140

## STANDARD DIMENSIONS (Front Single Tire)

Model	FD 20/FG 20 mm/in.	FD 25/FG 25 mm/in.	FD 30(35)/FG 30(35) mm/in.
A Overall height fork raised(with backrest)	4030/158.7	4030/158.7	4250/167.3
B Mast. Fork height	3000/118	3000/118	3000/118
C Overall height fork lowered(upright)	1995/78.5	1995/78.5	2070/81.5
D Backrest height(from upper face of forks)	1000/39.4	1000/39.4	1220/48
E Free lift	325/12.8	325/12.8	305/12
F Fork thickness	40/1.6	40/1.6	45/1.8
G Min. under-clearance(bottom of mast)	110/4.3	110/4.3	135/5.3
H Overall length(with forks)	3583/141	3653/143.8	3768/148.3
I Overall length(without forks)	2513/98.9	2583/101.7	2698/106.2
J Fork length	920/36.2	1070/42	1070/42
K Fork overhang	483/19	483/19	498/19.6
L Wheel base	1600/63	1600/63	1700/66.9
M Rear overhang	430/16.9	500/19.7	500/19.7
N Coupler height	290/11.4	290/11.4	310/12.2
O Overhead guard clearance(from face of seat)	1035/40.7	1035/40.7	1035/40.7
P Overall height(overhead guard)	2070/81.5	2070/81.5	2090/82.3
Q Overall width	1150/45.3	1150/45.3	1225/48.2
R Lateral fork adjustment(outside of fork)	245-1020/9.6-40	245-1020/9.6-40	250-1090/9.8-42.9
S Tread(front)	970/38	970/38	1000/39.4
T Tread(rear)	970/38	970/38	970/38
U Fork width	122/4.8	122/4.8	125/4.9
V Inside turning	160/6.3	160/6.3	200/7.8
W Outside turning radius	2170/85.4	2240/88	2400/94.5
X Min. intersecting aisle	1920/75.6	2010/79	2110/83
Y Tilting angles(forward-backward)	6°- 12°	6°- 12°	6°- 12°

## DUAL DRIVE TIRE DIMENSIONS

Model	FD20/FG20	FD25/FG25	FD30(35)/FG30(35)
Tire size	7.00-12-12PR mm/in.	7.00-12-12PR mm/in.	28*9-15-12PR mm/in.
Q Overall width	1590/62.6	1590/62.6	1750/68.9
S Tread(front)	1190/46.8	1190/46.8	1260/49.6
V Inside turning radius	100/3.9	100/3.9	100/3.9
W Outside turning radius	2280/89.8	2350/92.5	2500/98.4
X Min. intersecting aisle	2120/83.5	2190/86.2	2290/90

**HYTSU GROUP** products and specifications are subject to improvement and change without notice.



MANUFACTURER: ANHUI HYTSU (TU) FORKLIFTS CO., LTD.  
DESIGNER: HYTSU MATERIAL HANDLING EQUIPMENT CORP.  
DISTRIBUTOR: SHANGHAI HYTSU INTERNATIONAL TRADE CO., LTD.



TEL: 0086 21 5869 0003  
E-mail: info@hytsu.com

FAX: 0086 21 5869 2793  
Website: www.hytsu.com